

010-0600
Flush Mounted
Pop-Up T-Handle



DESIGNED FOR:

- Toppers and liftgate doors, garage doors, storage and access doors
- Any application where low profile hardware is important

FEATURES/BENEFITS:

- Flush mounted - when "T" handle is depressed, rivets and fastener heads are concealed
- Rubber gasket under base provides resistance to water infiltration

Global Locations:

TriMark Corporation
500 Bailey Avenue
P.O. Box 350
New Hampton, Iowa 50659
United States
Tel: 641-394-3188
Fax: 641-394-2392
1-800-447-0343
www.trimarkcorp.com

TriMark Europe
Cedar Court
Walker road
Bardon Hill
Coalville LE67 1TU
United Kingdom
Tel: +44(0)1530 512460
Fax: +44(0)1530 512461
www.trimarkeu.com

TriMark (Xuzhou)
Building A5 Jingwu Road
Xuzhou Economic
Development Zone
Xuzhou, Jiangsu
221004 PR China
Tel: +86 516 8773 0018
Fax: +86 516 8773 0058
www.trimarkcn.com



TriMark. Interactive. Product. Selector



TriMark



TriMark Corporation

AVAILABLE:

- Key lockable with 50 key codes available or keyed alike. Non-locking version is also available
- One or two point locking
- 90° or 150° rotation
- 2.500" (63.5mm) or 3.500" (88.9mm) drive bar lengths
- Clockwise or counterclockwise rotation

MATERIAL:

- Shuttered keyway: stainless steel
- All major components: zinc alloy
- Drive bar: zinc plated steel
- Internal (2) springs: stainless steel

FINISH

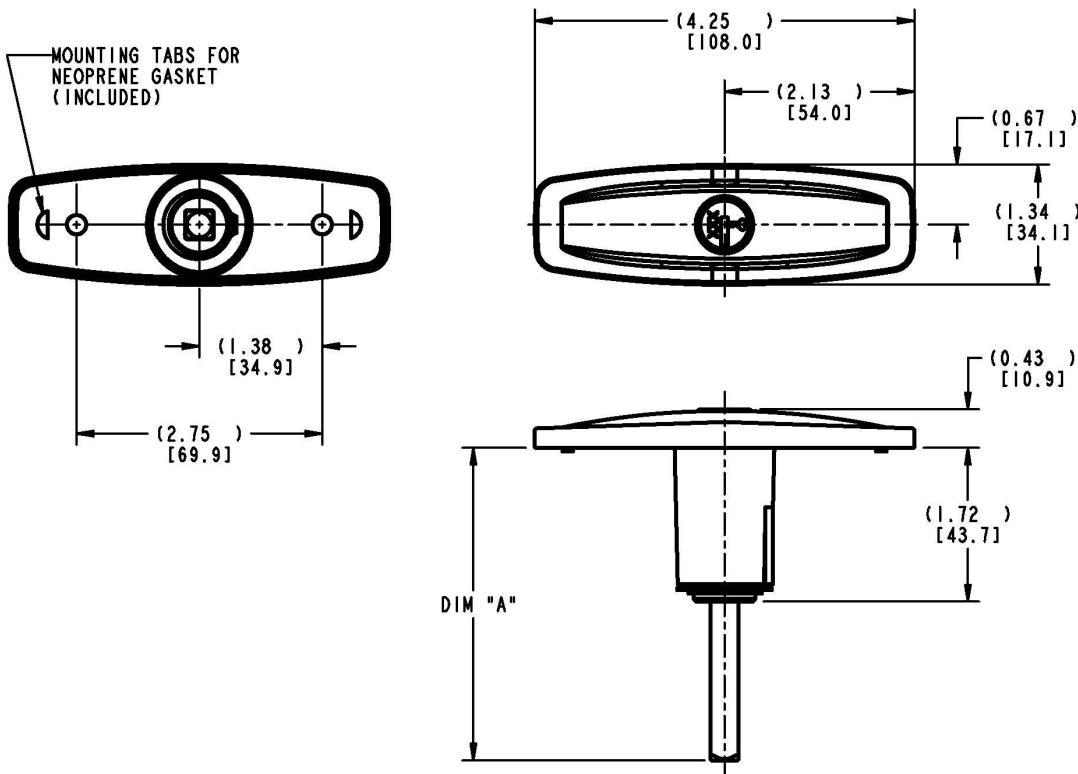
- Black powder coated or white

INSTALLATION:

- Easy installation with (2) #10 fasteners or rivets
- Recommended door mounting - 1.125" (28.6mm) diameter thru hole

Individual part dimensions are for reference only. Refer to individual part drawings for complete dimensions, specifications, and installation procedures. Engineering assistance and application drawings are available.

For more information visit
www.trimarkcorp.com



DRIVE BAR CHART
DIMENSION "A"
250 [63.5]
350 [88.9]

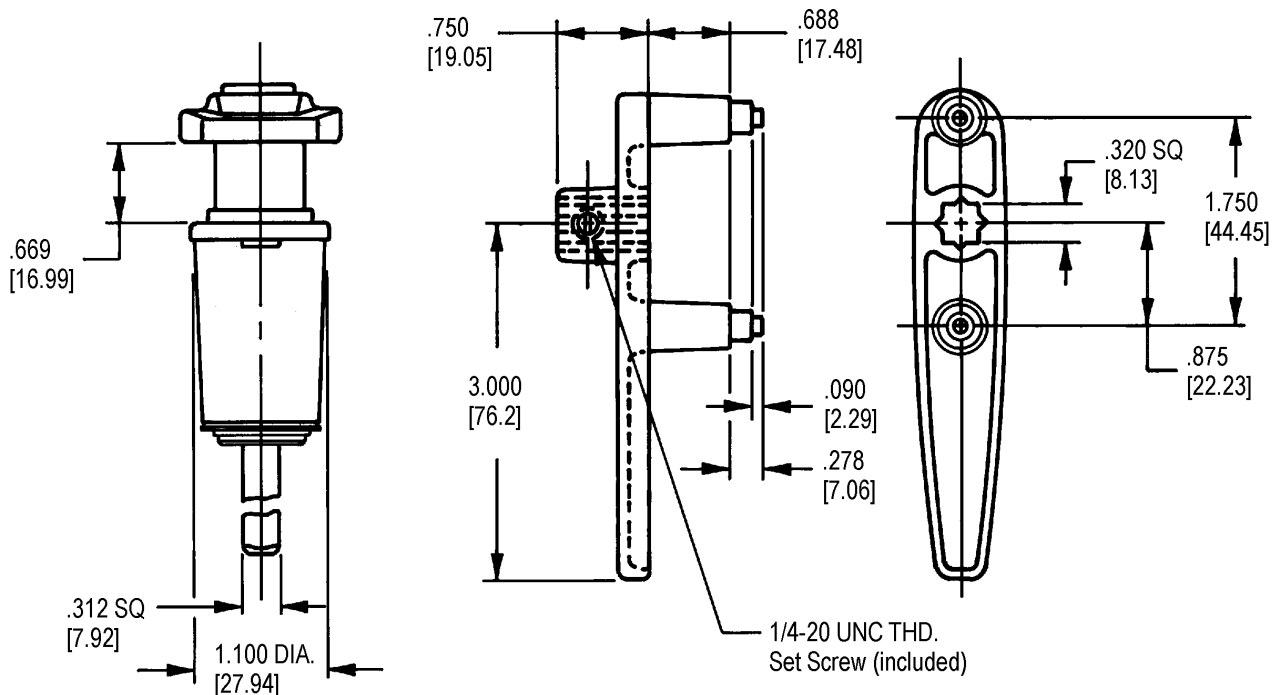
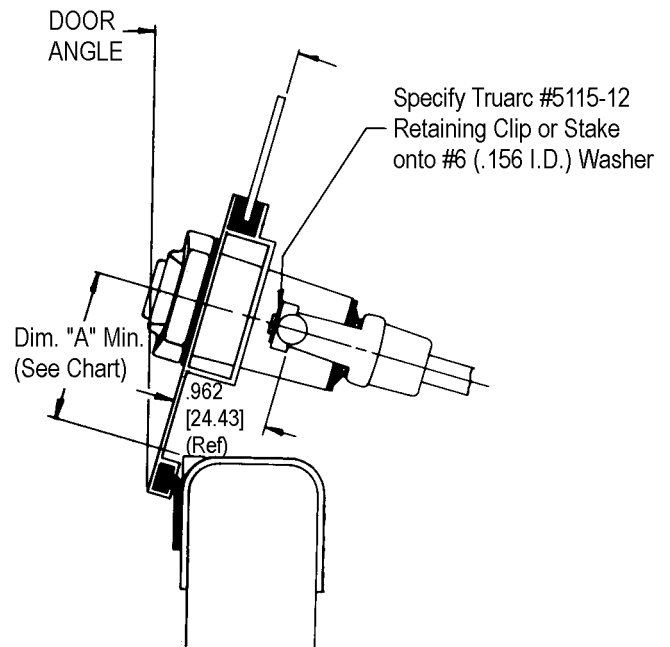
**USE WITH:
Throw Rods**

- Available in sturdy .312" (5/16") diameter cut, shaped and formed to your specific length
- Finished in bright zinc plated steel
- Support brackets included
- Can be ordered separately or pre-assembled to inside release lever
- Minimum order quantities will apply

Inside Release Lever

- Available with rods and inside release lever fully assembled and ready to install or shipped bulk with components separate for you to assemble at your plant

Minimum Installation (Clearance) Height	
Angle of Door	Dim. A
25°	1.969 [50.01]
20°	1.781 [45.24]
15°	1.594 [40.49]
10°	1.594 [40.49]
5°	1.250 [31.75]
Vertical	1.125 [28.58]



INSIDE RELEASE LEVER